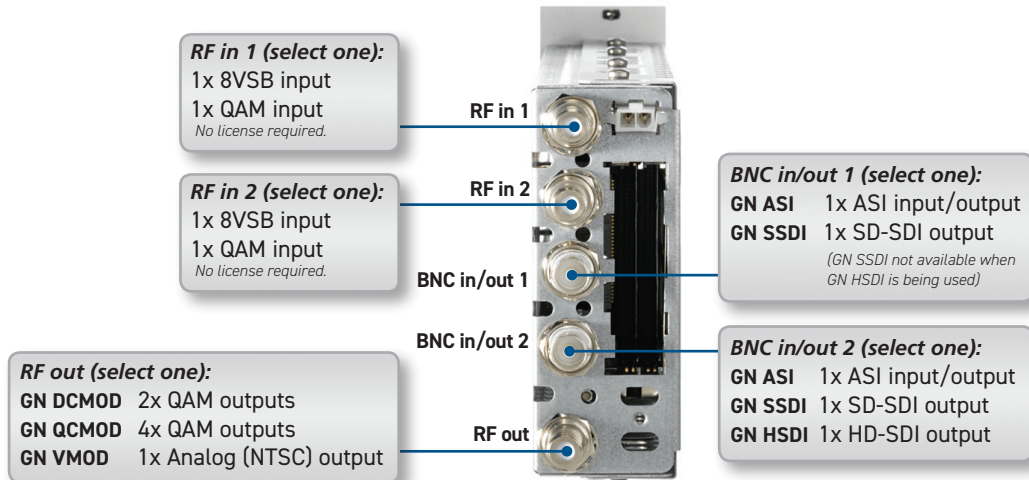


# Chameleon GN HWA Processor - Software License Options

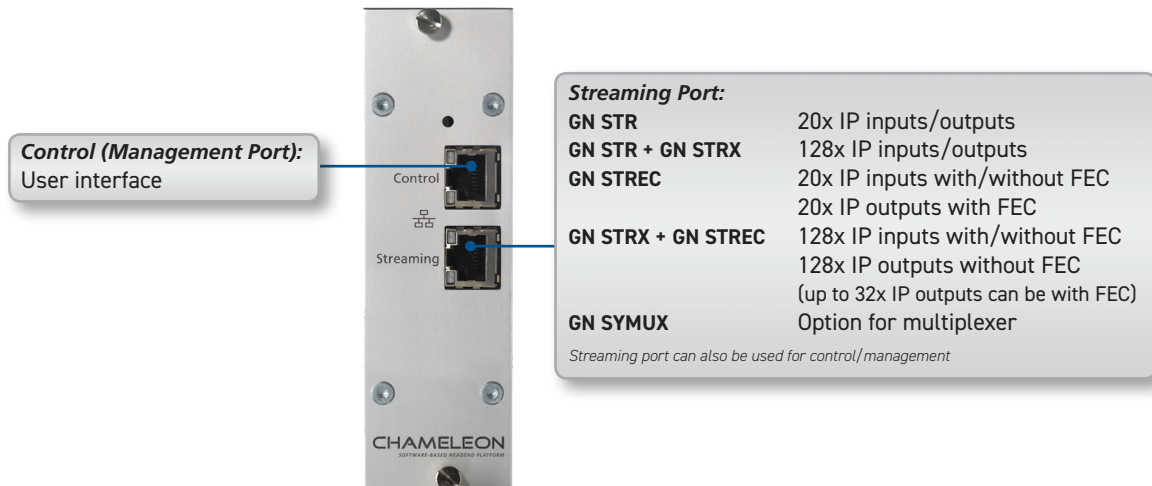
## Multi-Format Tuners

The GN HWA module features multiple input sources including 8VSB, QAM, ASI and/or IP reception. Video streams can be output as QAM, Analog (NTSC), HD/SD-SDI ASI and/or IP.



## Network Interfaces

The management network interface is available to access WISI's intuitive user interface for configuration and monitoring controls. The streaming video network interface allows IP inputs and outputs, with options for FEC, multiplexing, encryption and decryption.



## Additional Chameleon Licenses

### Encryption/Decryption

<b>GN SCR</b>	32x services with simulcrypt or BISS scrambling
<b>GN SCR + GN SCR X</b>	128x services with simulcrypt scrambling
<b>GN AES</b>	32x services with AES128 scrambling
<b>GN AES + GN AES X</b>	128x services with AES128 scrambling
<b>GN LYNK</b>	32x services with Samsung Lynk scrambling
<b>GN LYNK + GN LYNK X</b>	128x services with Samsung Lynk scrambling
<b>GN PISCR8</b>	8x services with PRO:Idiom scrambling
<b>GN BISS</b>	8x services for BISS descrambling

### Redundancy and Monitoring

<b>GN MON</b>	License for basic transport stream monitoring & logging
<b>GN ASE</b>	Option for rendering TS info and thumbnails to Inca All Seeing Eye
<b>GN RED</b>	Option for IP input signal redundancy (1 per module)
<b>GN NRED</b>	Option for N+1, 1+1 module redundancy (1 per <b>GN 50</b> chassis for up to 5x redundancy groups)
<b>Audio Licences (Analog/SDI output only)</b>	
<b>GN BTS</b>	MTS/MTS+SAP (BTSC) audio output for 1x Analog output or up to 2x SDI outputs
<b>GN DOL</b>	Dolby Digital (AC-3) audio decode for 1x Analog output